

RUBEN ELITE SHOWER HEAD

DESCRIPTION

Ruben Elite Brass Shower Head Only

FEATURES

- Unique combination of bold lines with classic curves
- Slim-line design
- Solid brass construction
- Easy clean silicone tipped
- 215 x 215 x 10mm
- Matching wall arm or high rise arm available
- Matching wall mixer available
- 5 year limited domestic warranty on showers from date of purchase

DETAILS

WELS 3 star 8L/m

'WaterMark' Certification LN 23024

Part Code: TR-026

Available Finishes: Chrome

Mixer and wall arm not included

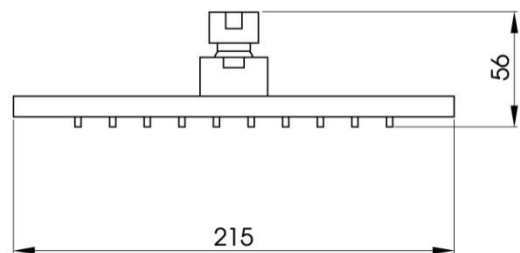
Recommended working pressure:

Min 150 – Max 500Kpa

Note: If the pressure exceeds or is likely to exceed 500KPa, an approved pressure limiting device must be fitted.

Maximum hot water temperature 50°

TECHNICAL DETAILS



Note: Illustrations and specifications may vary from time to time



QUATTRO SQUARE SHOWER HEAD

DESCRIPTION

quattro Brass Square Shower Head Only

FEATURES

- Minimalistic design
- Solid brass construction
- Easy clean silicone tipped
- 200 x 200 x 10mm
- Matching wall mixer available
- 5 year limited domestic warranty on showers from date of purchase

DETAILS

WELS 3 star 8L/m

'WaterMark' Certification LN 23024

Part Code: TR-082

Available Finishes: Chrome

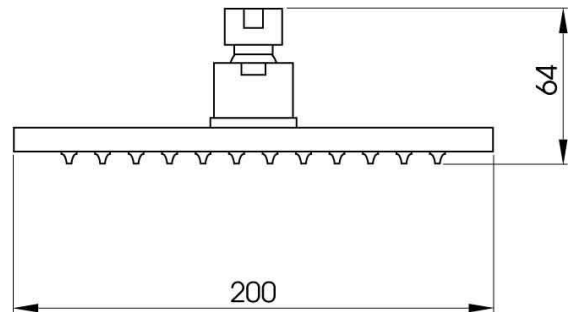
Recommended working pressure:

Min 150 – Max 500Kpa

Note: If the pressure exceeds or is likely to exceed 500KPa, an approved pressure limiting device must be fitted.

Maximum hot water temperature 50°

TECHNICAL DETAILS



Note: Illustrations and specifications may vary from time to time



QUATTRO RECTANGLE SHOWER HEAD

DESCRIPTION

quattro Brass Rectangle Shower Head Only

FEATURES

- Minimalistic design
- Solid brass construction
- Easy clean silicone tipped
- 250 x 150 x 10mm
- Matching wall mixer available
- 5 year limited domestic warranty on showers from date of purchase

DETAILS

WELS 3 star 8L/m

'WaterMark' Certification LN 23024

Part Code: TR-084

Available Finishes: Chrome

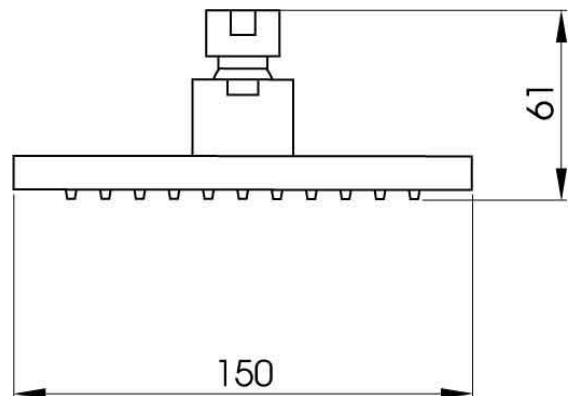
Recommended working pressure:

Min 150 – Max 500Kpa

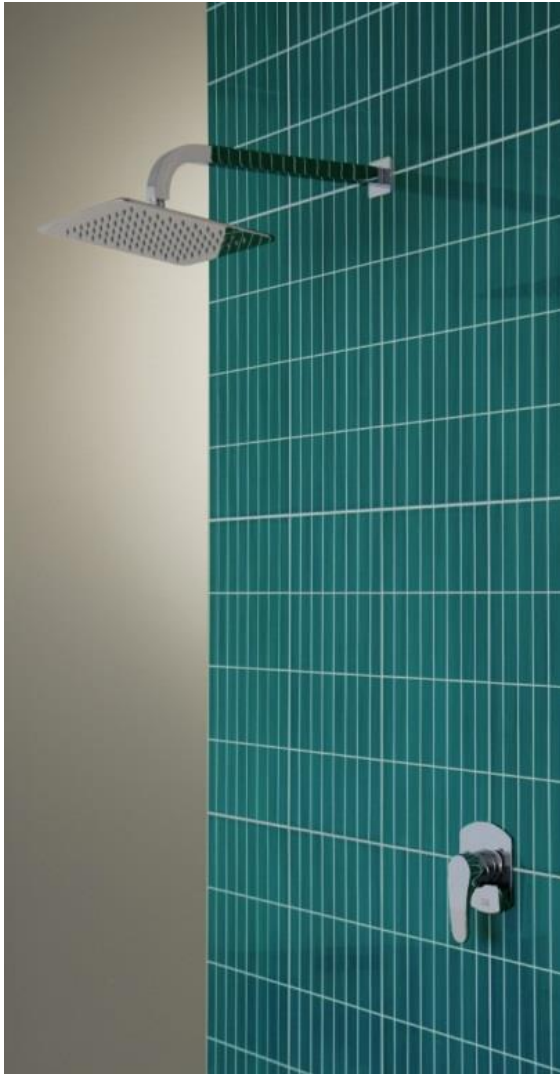
Note: If the pressure exceeds or is likely to exceed 500KPa, an approved pressure limiting device must be fitted.

Maximum hot water temperature 50°

TECHNICAL DETAILS



Note: Illustrations and specifications may vary from time to time



RUBEN ELITE SHOWER HEAD

DESCRIPTION

Ruben Elite Stainless Steel Shower Head Only

FEATURES

- Unique combination of bold lines with classic curves
- Ultra slim-line design
- Stainless steel and brass construction
- Easy clean silicone tipped
- 250 x 250 x 6mm
- Matching wall arm or high rise arm available
- Matching wall mixer available
- 5 year limited domestic warranty on showers from date of purchase

DETAILS

WELS 3 star 8L/m

'WaterMark' Certification LN 23024

Part Code: TR-126

Available Finishes: Polished/Chrome

Mixer and wall arm not included

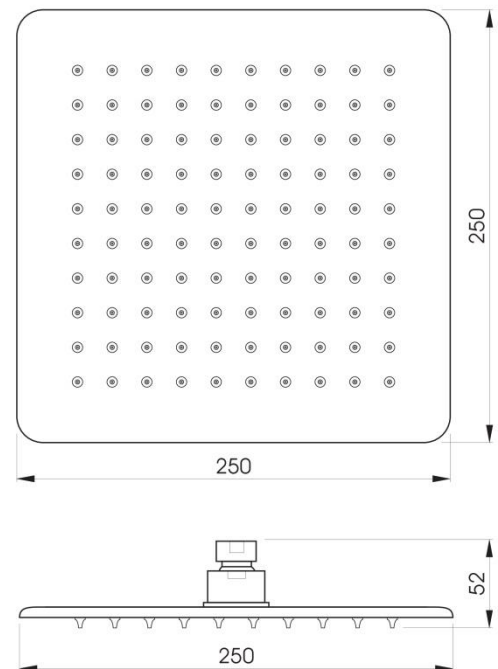
Recommended working pressure:

Min 150 – Max 500Kpa

Note: If the pressure exceeds or is likely to exceed 500KPa, an approved pressure limiting device must be fitted.

Maximum hot water temperature 50°

TECHNICAL DETAILS



Note: Illustrations and specifications may vary from time to time